

Hysteroscopy Irrigation Sets

DESCRIPTION

The m|devices Hysteroscopy Irrigation Sets are available with a stepped connector and silicone tubing at one end of 234cm tubing. There is a manual hand pump and a click clamp built into the line, with a single spike at the other end. The line is made from medical grade PVC.

FEATURES & BENEFITS

- Designed for hysteroscopy but also suitable for arthroscopy
- Soft material
- Manual hand pump
- Click clamps
- Single spike configuration

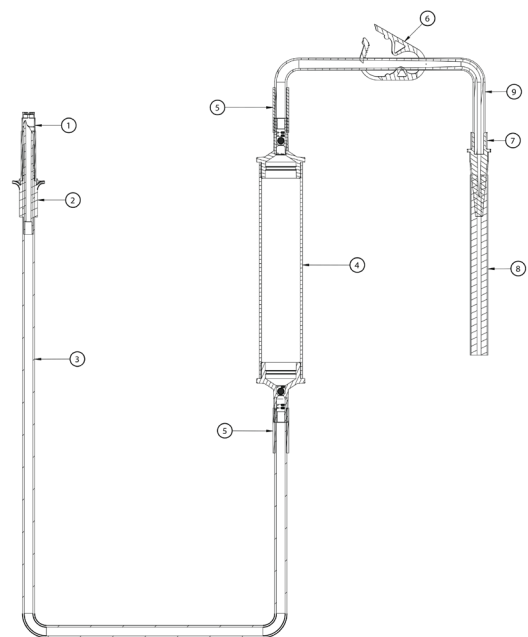
PRODUCT DATA

- Tubing length: 220cm
- Tubing inner diameter: 4.8mm
- Tubing outer diameter: 6.8mm
- Priming volume: 78.0mL
- Material: PVC
- DEHP YES = Product contains Phthalates such as the PVC Plasticizer Di-(2-ethylhexyl)-phthalate (DEHP).
- ARTG Number: 314960
- Shelf life: 5 Years

STANDARDS

- EN ISO 10993-5:2009 Biological evaluation of medical devices - Tests for in vitro cytotoxicity.
- EN ISO 10993-7:2008 Biological evaluation of medical devices - Ethylene oxide sterilisation residuals
- EN ISO 14971:2012 Application of Risk Management

PRODUCT DIAGRAM



ITEM	DESCRIPTION	5	Tube Connector
1	Cover	6	Click Clamp
2	Spike	7	Stepped Connector
3	Tube	8	Silicone Tube
4	Pump	9	Tube

Hysteroscopy Irrigation Sets

RE-ORDER	DESCRIPTION	TOTAL LENGTH	CARTON/QTY
IR010005	Hysteroscopy Irrigation Set	260cm	30